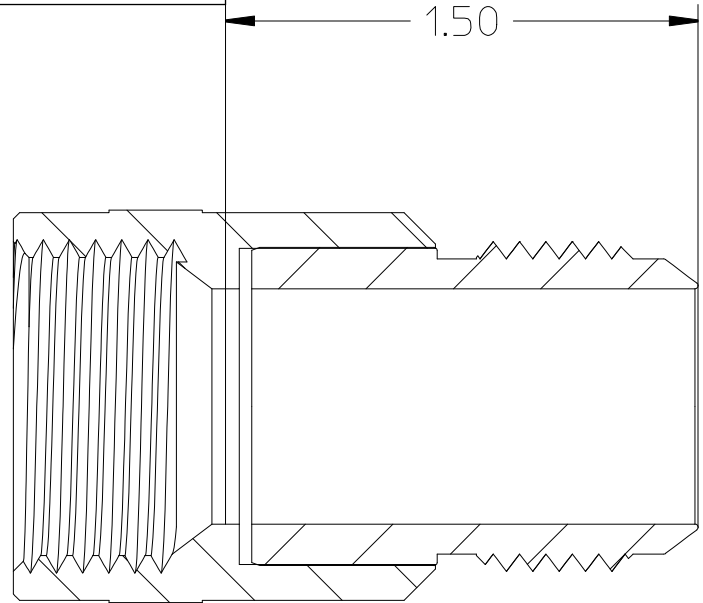


END OF EXISTING
12AN FITTING



Section A-A

2		
1		
0		
REV.	REVISION DESCRIPTION	DATE

STAR MACHINE
7810 OAK AVENUE
PARKVILLE, MD. 21234

DESCRIPTION **FITTING, 12AN FEMALE FILTERED**

HEAT TREATING

MATERIAL

HARDNESS DEPTH

DESIGNED BY **T HIGDON**

SURFACE PREPARATION

SCALE SHEET SIZE
1 OF 1 A

FINISH

DRAWING NO.

TOLERANCES UNLESS SPECIFIED	LINEAR (INCHES)	ANGULAR
□	0.05--10 ± 0.005	0-90 ± 0.25°
□	11---20 ± 0.010	91-180 ± 0.50°
□	21---30 ± 0.015	181-270 ± 0.75°
□	31---40 ± 0.020	271-360 ± 1.00°
□	44---50 ± 0.030	
□	51--100 ± 0.050	
GEOMETRIC (INCHES)		
□	0.05-10 ± 0.005	0.05-20 0.005
□	11---20 ± 0.010	21---40 0.010
□	21---30 ± 0.015	41---50 0.015
□	31---40 ± 0.020	51--100 0.020
□	44---50 ± 0.030	
□	51--100 ± 0.050	
⊙	0.002	0-100 0.015

BREAK ALL EDGES UNLESS SPECIFIED

THIS DRAWING IS THE PROPERTY OF STAR MACHINE. IT SHALL NOT BE DISCLOSED OR COPIED WITHOUT THE WRITTEN AUTHORIZATION OF STAR MACHINE.

STR.21.07.200